

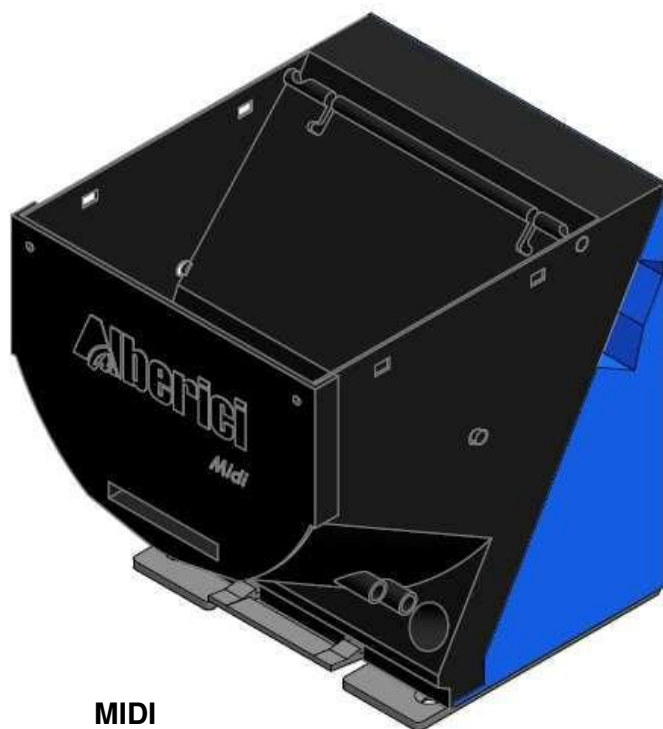
HopperCD Discriminator II

Operator's manual

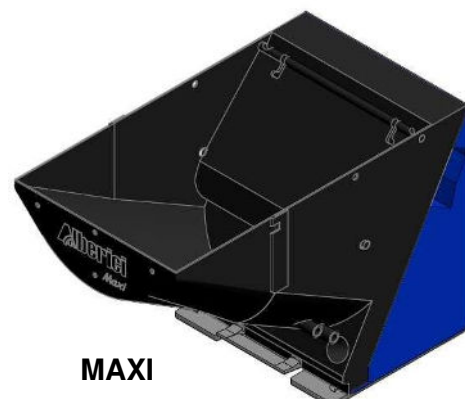
Rev. 1.04

Hopper DISCRIMINATOR II

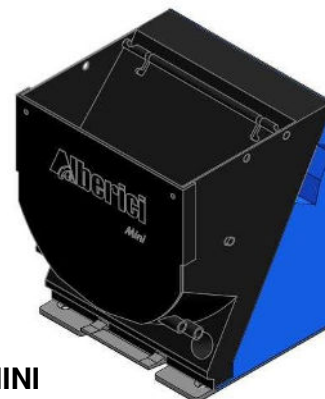
Mini - Midi
Maxi - Lateral
24Vdc ccTalk



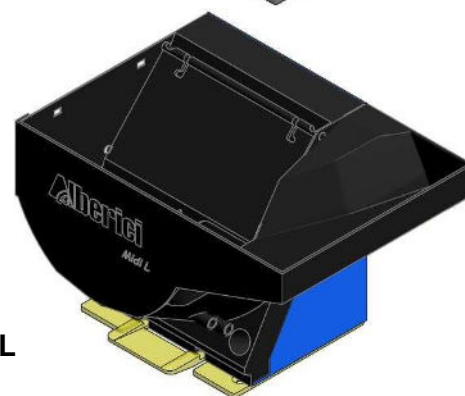
MIDI



MAXI



MINI



LATERAL

Operator's Manual



Alberici
CASH SOLUTIONS

Via Cà Bianca, 421 - 40024
Castel San Pietro Terme (BO) - Italy

Progettazione e produzione di sistemi di pagamento e accessori per macchine Gaming, Vending e Car-Wash

Tel.: +39.051.944300
Fax.: +39.051.944594

Web: www.alberici.net
E.mail: info@alberici.net

1. General description

Thank you for having purchased the Alberici **Hopper Discriminator II**. This Hopper Discriminator II has been designed and manufactured in the Alberici's labs and workshops and satisfies all the requirements of the coin-op market. The implemented technology allows to discriminate the different types of Euro (€) coins, and to pay out any requested amount in mixed coins.

It builds-in easily both into **Slot / AWP machines** and into **money changer machines**. Its features make it easily compatible with all the cards normally available on the market.



1.1 Operation

The disk-driven Hopper Discriminator II manufactured by Alberici S.p.A. discriminates and counts different sorts of coins or coin-like tokens (provided they are round, with no grooves, large holes, or steep reliefs), ranging from Φ 20 mm to 26,5 mm, and 1,7 mm – 3,5 mm thick. It detects and pinpoints the denominations available on the coin disk, dispenses the requested amount by mixing and adding them up, reading for each of them the relevant signal from the output sensor, and transmits the ccTalk information to the machine board. The recognition of each coin denomination is obtained by combining the readings made by inductive sensors that pick up the magnetic features of the coin.

The expelled coin momentarily breaks the pulsed infrared beam between an emitting I.e.d. and a photo-transistor: each interruption stands for one dispensed coin, whose value had been previously acknowledged and chosen. The particular signal encoding prevents any possibility of fraud through blazing or blinding the output sensor.

If any output obstruction occurs, the hopper electronics detects the excessive current draw, then reversing temporarily the rotation direction, so as to help release the output and promptly restart smooth dispensing.

Very exclusive and peculiar of the Alberici Hopper Discriminator II is the patented SPS® or "Smart Pick System": it acts so that the smaller value coins get parked and paid out only if and when they are needed to top up the requested amount. As a consequence, the pay-outs get virtually always accomplished, and accomplished without such delays as caused by the disk searching for the proper top-up coin(s) - delays that could otherwise easily end up in the hold-up of the machine, due to the hopper timeout.

The reservoir lower level can be monitored through two optic sensors.

The dispensing speed is approximately 180 coins per minute.

1.2 Safety

The Hopper unit must be installed in systems endowed with ON-OFF mains switch.

Turn power supply off before fitting or dismantling the Hopper Discriminator II from its slide connector. The device includes mechanical parts in motion: DO NOT put your fingers inside it during operation. The installation must be carried out as specified in paragraph 3.2. Guarantee shall not apply if such instructions are not complied with.



CAUTION:
HARM DANGER!
MECHANICAL PARTS IN MOTION

The disc of the Hopper Discriminator II flings the coins out at very high speed: do not place parts of the body or fragile objects in front of the coins output slot.

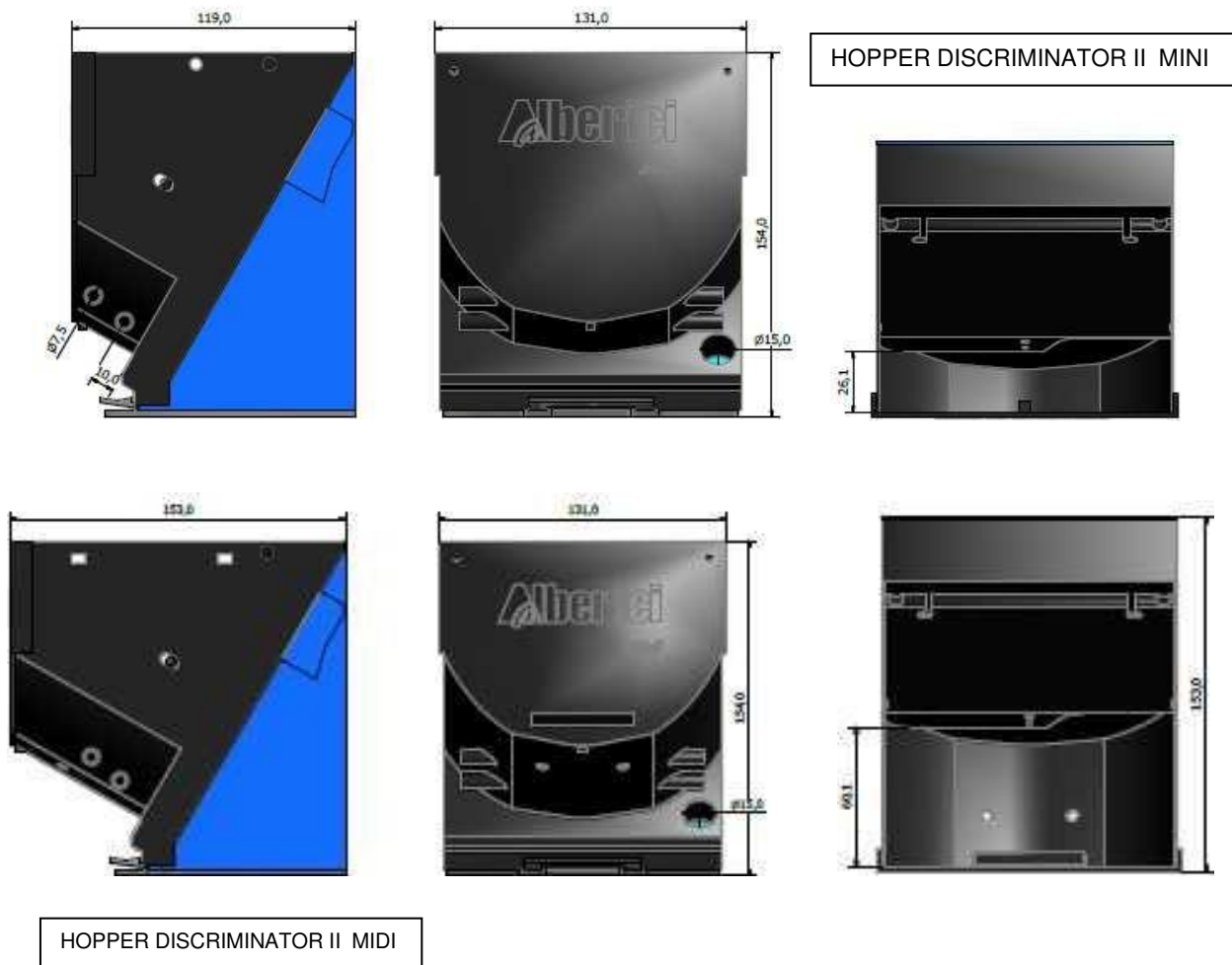
2. Technical data

Protocol	ccTalk 24V
Speed	180 coins/min.
Coin capacity (Φ24 mm)	775 / 725 / 500 / 325 (L / MAXI / MIDI / MINI)
Coin diameter	20-26,5 mm
Coin thickness	1,7-2,6 mm
Max consumption	1 A
Stand-by cons.	70 mA
Operating voltage	24 Vdc
Work temperature	0°C ÷ 50°C
Humidity	20% - 75%
Size (mm)	131 (w) x 154 (h) x 230 (d)

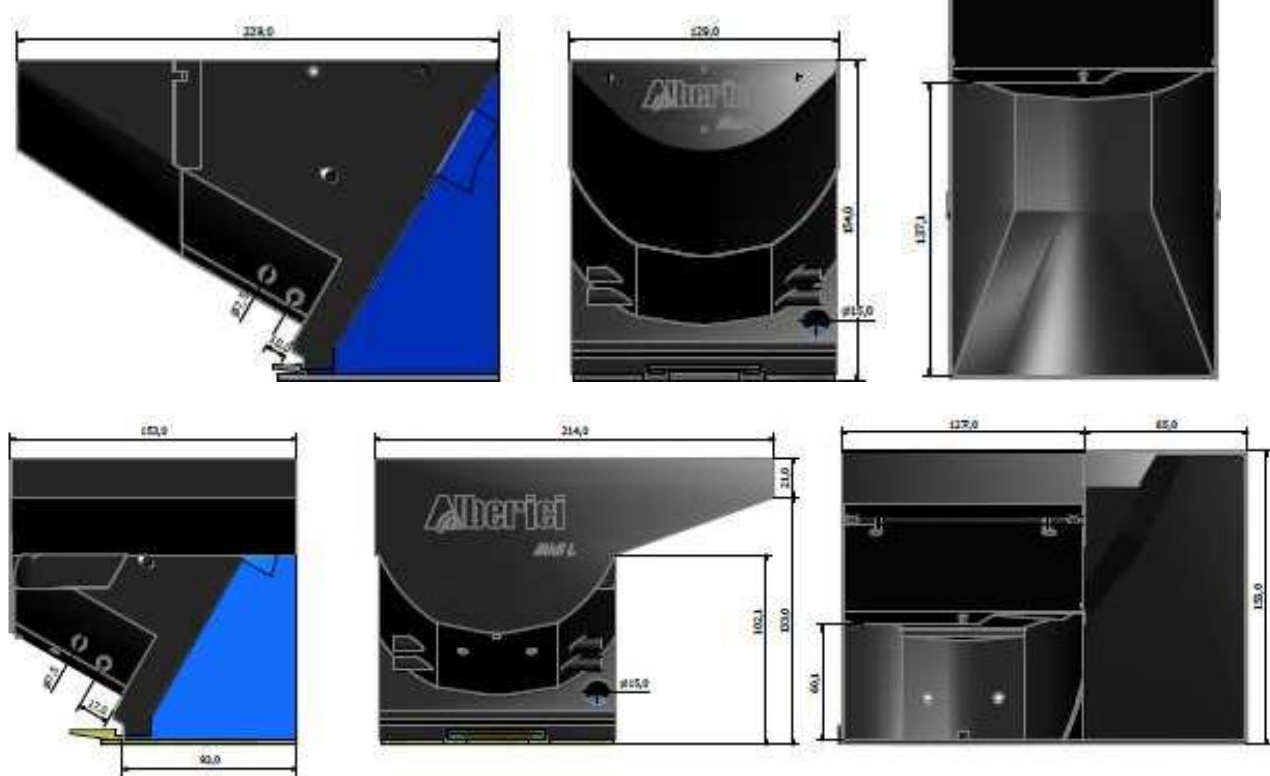
3. Mechanical description

The Hopper Discriminator II is available in 4 different models, according to capacity and size. Its standard features make it interchangeable with similar devices already existing in the market.

3.1 Size



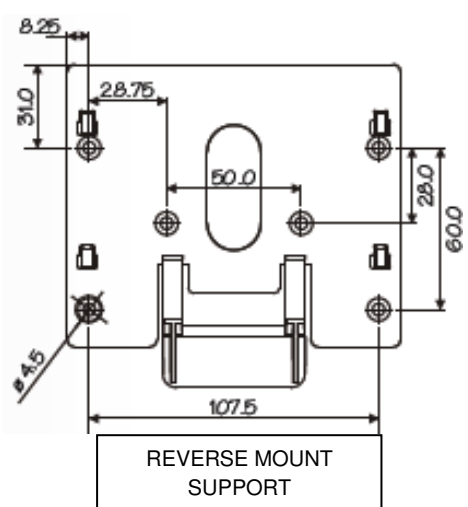
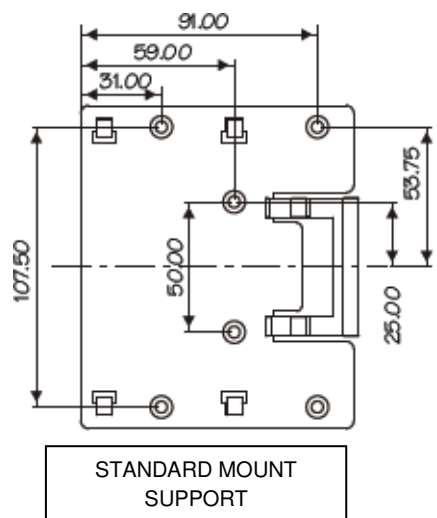
HOPPER DISCRIMINATOR II MAXI



HOPPER DISCRIMINATOR II LATERAL

3.2 Installation

- Take the following easy steps:
- . fasten the slide polycarbonate support
 - . slide the Hopper Discriminator II in
 - . before plugging in electrical supply, please read chapter 4



To remove the hopper, hold the release clip pressed downwise, and slide the hopper off.

4. Electrical description

4.1 Power supply

The voltage supply to the Hopper Discriminator II must be in Direct Current (Volts d.c.). The section of wiring must be chosen according to the given current draw specs.

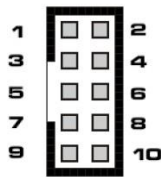
4.2 Current draw

		Standby	Empty	Loaded (*)
P.c.board	(+24 Vdc)	40mA 0.48 W	40mA 0.48 W	40mA 0.48 W
Motor	(+24 Vdc)	0mA 0m W	70mA 1.68 W	1 A * 24 W
Total Absorption	(Strength)	0.48 W	2.16 W	24.48 W

(*) The current draw of the loaded motor is electronically limited. The shown value is momentarily reached *only in case of blocked device*.

4.3 Connector PIN-OUT

The 10-pin ccTalk connector is located behind the Hopper Discriminator II, next to the dip-switch row for the serial addressing.



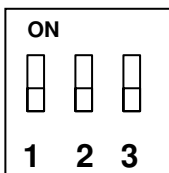
- 1: DATA CCTALK
- 2: VOID
- 3: VOID
- 4: GND
- 5: VOID
- 6: VOID
- 7: +24V
- 8: GND
- 9: VOID
- 10: +24V

When the hopper level controls are made through optic sensors, do connect the electrode plates to the machine ground terminals.

4.4 Setting Hopper Address by Hardware

When needed, i.e. when more than one Hopper Discriminator II is used in the same machine, the default serial address of Alberici cctalk Hoppers can be changed via the dip-switches row located on the rear side. It's possible to preset the address of each Hopper combining the three dip-switches in convenient patterns as follows:

(Switch n° 1) (Switch n° 2) (Switch n° 3)			
ON	ON	ON	Serial Address
			3
ON			4
	ON		5
ON	ON		6
		ON	7
ON		ON	8
	ON	ON	9
ON	ON	ON	10



Note that the Hopper reads the status of these lines only at switch on / reset, so dip switch changes during normal operation will have no effect.

5. Maintenance

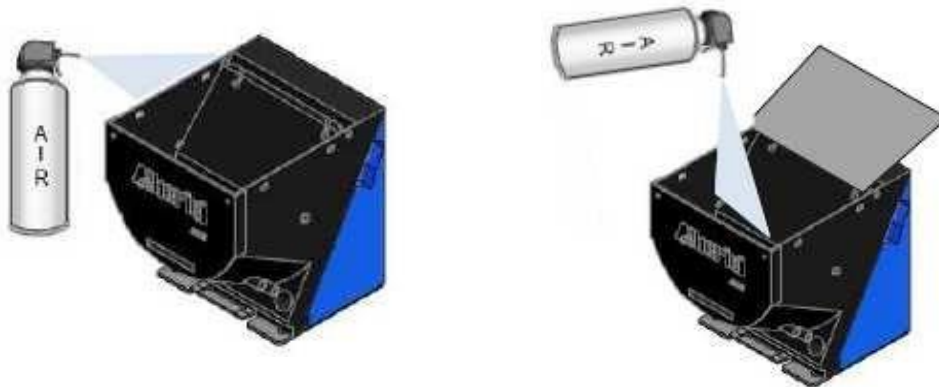
Prior to any maintenance operation, switch power off and disconnect the power cord.
Clean the disk of the Hopper Discriminator II every 100.000 pay-outs, by pressurized air.

The sloped shape of the optic sensor housing prevents the build-up of the dirt, so reducing the need to clean it too frequently. Whenever you clean the disc, it is anyway advised to clean also the output optic sensor.

Check from time to time that the reservoir and the disc do not contain debris or bent / warped coins, and always remove them, since they can obstruct the output or the rotation, hamper the operation of the hopper, damage the Hopper parts and thwart its performance.

To clean the Hopper, pull up its flap, and blow dry pressurized air onto the disc parts and the sensors slots (accessible through the coin pits), as well as through the coin outlet slot.

CAUTION: if any parts need to be dismantled for deeper cleansing or other maintenance operations, please send the Hopper Discriminator II to Alberici S.p.A., that will properly carry out the necessary service repairs, cleaning and updating.



6. ccTalk protocol

6.1 ccTalk commands

NOTICE: *the basic commands necessary to implement the Discriminator II Hopper in the game boards are shown by the chart below.*

For the detailed list of the replies of the Discriminator II Hopper to host commands, please refer to § 6.2 ccTalk Protocol (following page)

Code / Hex.		Command header	Note
254	FE	Simple poll	Return ACK
253	FD	Address poll	MDCES support
246	F6	Request manufacturer id	“Alberici”
245	F5	Request equipment category id	“Payout”
244	F4	Request product code	“AH DSC 1”
242	F2	Request serial number	[Ser nr-L][Ser nr][Ser nr-H]
241	F1	Request software revision	un.n pm.m.m
217	D9	Request payout high/low status	Return empty/full status
197	C5	Calculate ROM checksum	[Mon][Prog][Data]
164	A4	Enable hopper	Enable = 0xA5
163	A3	Test hopper	Supported
134	86	Dispense hopper value	Supported
133	85	Request hopper polling value	Supported
132	84	Emergency stop value	Supported
131	83	Request hopper coin value	Supported
130	82	Request indexed hopper dispense count	Supported
1	1	Reset device	Software reset

6.2 *cctalk Protocol of Hopper Discriminator II*

HOPPER DISCRIMINATOR II - ccTalk PROTOCOL

ccTalk® communication protocol is the Money Controls (formally Coin Controls) serial communication protocol for low speed control networks. It was designed to allow the interconnection of various cash handling devices (*Hopper, Card reader, Bill validators, Coin selectors etc.*), mostly in AWP and gaming Industry, but also in other devices that use those components.

ccTalk® is an open standard. All documentation is available at web site: www.cctalk.org.

Communication protocol of Alberici Hoppers AH04.. is implemented according to generic specification 4.4

1 Communication specifications

ccTalk serial communication is derivation of RS232 standard.

Low data rate NRZ (**Non Return to Zero**) asynchronous communication:

Baud rate 9600, 1 start bit, 8 data bits, no parity, 1 stop bit.

RS232 handshaking signals (*RTS, CTS, DTR, DCD, DSR*) are not supported.

Message integrity is controlled by means of checksum calculation.

1.1 Baud rate

The baud rate of 9600 was chosen as compromise between cost and speed.

Timing tolerances is same as in RS232 protocol and it should be less than 4%.

1.2 Voltage level

To reduce the costs of connections the "Level shifted " version of RS232 is used. The idle state on serial connector is 5V, and active state is 0V.

Mark state (*idle*) +5V nominal from 3.5V to 5V

Space state (active) 0V nominal from 0.0V to 1.0V

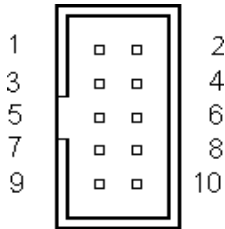
Data I/O line is "open collector" type, so it is possible to use device in systems with different voltage (12V pull up in older devices).

1.3 Connection

The connection of Hopper at network is achieved by means of 10 pole IDC connector compatible with Azkoyen standard ccTalk 2+2 (Two wires for power supply + and two for GND connector). Connector is used for power supply and communication as well.

For schematics and and connector appearance see images and tables below.

Fig. 1 AH04 - ccTalk connector



PIN Nr.	Function
1	ccTalk Data
2	Not used
3	Not used
4	GND
5	Not used
6	Not used
7	+24 V
8	GND
9	Not used
10	+24 V

Table 1 AH04 - ccTalk connector

1.4 Message structure

Each communication sequence consists of two message packets.

Message packets for simple checksum case is structured as follows:

[Destination address]
 [Nr. of data bytes]
 [Source address]
 [Header]
 [Data 1]
 ...
 [Data n]
 [Checksum]

There is an exception of message structure when device answer to instruction 253 "Address poll" and 252 "Address clash"¹. The answer consists of only one byte representing address delayed for time proportional to address value or random delay.

For CRC checksum case format is:

[Destination address]
 [Nr. of data bytes]
 [CRC 16 LSB]
 [Header]
 [Data 1]
 ...
 [Data n]
 [CRC 16 MSB]

1.4.1 Address

Address range is from address 0 to address 255. Address 0 is special case or so called "broadcast" address and address 1 is default host address.

The recommendation for address value of different devices are presented in table 2.

Device category	Address	Additional addr.	Note
Coin Acceptor	2	11 - 17	Coin validator, selector, mech...
Payout	3	4 - 10	Hopper
Bill validator	40	41 - 47	Banknote reader
Card Reader	50		-
Display	60		Alphanumeric LC display
Keypad	70		-
Dongle	80	85	Safety equipment
Meter	90		Replacement for el.mec. counters
Power	100		Power supply

Table 2 Standard address for different types of devices

Address for ALBERICI Hoppers is factory set to value 3, but the user can change the default address by setting the Hopper PCB switch.

1.4.2 Number of data byte

Number of data byte in each transfer could be from 0 to 252.

Value 0 means that there are no data bytes in the message, and total length of message packet will be 5 bytes. Although theoretically it will be possible to send 255 bytes of data because of some limitations in small micro controllers the number is limited to 252².

1.4.3 Command headers (*Instructions*)

Total amount of possible ccTalk command header is 255, with possibility to add sub-headers using headers 100, 101, 102 and 103.

Header 0 stands for **ACK** (*acknowledge*) replay of device to host.

Header 5 stands for **NAK** (*No acknowledge*) replay of device to host.

Header 6 is **BUSY** replay of device to host.

In all three cases no data bytes are transferred. Use of ACK and NAK headers is explained separately for each specific message transfer.

Commands are divided in to several groups according to application specifics:

- Basic general commands
- Additional general commands
- Commands for Coin acceptors
- Commands for Bill validators
- Commands for Payout
- MDCES commands

1.4.4 Data

There is no restrictions for data format use. Data could be BCD (**B**inary **C**oded **D**ecimal) numbers, Hex numbers or ASCII strings. Interpretation as well as format is specific to each header use, and will be explained in separate chapter.

1.4.5 Checksum

Message integrity during transfer is checked by use of simple zero checksum calculation.

Simple checksum is made by 8 bit addition (modulus 256) of all the bytes in the message.

If message is received and the addition of all bytes are non-zero then an error has occurred.

1.5 Timing specification

The timing requirements of ccTalk are not very critical but there are some recommendation.

1.5.1 Time between two bytes

When receiving bytes within a message packet, the communication software must wait up to **50 ms** for next byte if it is expected. If time out occurs, the software should reset all communication variables and get ready to receive next message. The inter byte delay during transmission should be ideally **less than 2 ms** and **not greater than 10 ms**.

1.5.2 Time between command and replay

The time between command and reply is dependent on application specific for each command. Some commands return data immediately, and maximum time delay should be within **10 ms**.

Other commands that must activate actions in device may return reply after action is finished.

1.5.3 Start-up time

After the power-up sequence Hopper should be ready to accept and answer to a ccTalk message within time period of less than 250 ms.

During that period all internal check-up and system settings must be done, and hopper should

1.6 Error handling

If slave device receive the message with bad checksum or missing data no further action is taken and receive buffer will be cleared.

Host software should decide to re-transmit message immediately or after a fixed amount of time. In case when host receive message with error it has same options.

2. Hopper Command header set

Command header set, that host could use in communication with Hopper is given in table 3.

Code / Hex.		Command header	Note
254	FE	Simple poll	Return ACK
253	FD	Address poll	MDCES support
246	F6	Request manufacturer id	“Alberici”
245	F5	Request equipment category id	“Payout”
244	F4	Request product code	“AH DSC 1”
242	F2	Request serial number	[Ser nr-L][Ser nr][Ser nr-H]
241	F1	Request software revision	un.n pm.m.m
217	D9	Request payout high/low status	Return empty/full status
197	C5	Calculate ROM checksum	[Mon][Prog][Data]
164	A4	Enable hopper	Enable = 0xA5
163	A3	Test hopper	Supported
134	86	Dispense hopper value	Supported
133	85	Request hopper polling value	Supported
132	84	Emergency stop value	Supported
131	83	Request hopper coin value	Supported
130	82	Request indexed hopper dispense count	Supported
1	1	Reset device	Software reset

Table 3 List of Hopper Discriminator II ccTalk command headers

Command headers are divided in to 4 different groups:

- Common command headers
- Hopper command headers
- MDCES command headers

2.1 ALBERICI specific command headers

2.1.1 Command header 254 [hexFE], Simple poll

The fastest way for host to detect all attached devices in ccTalk network.

Addressed device - Hopper answer with ACK (*Acknowledge*).

If within predicted amount of time Hopper does not answer, probably is not connected, powered or simple not working properly.

Message format is:

Host sends: [Dir] [00] [01] [FE] [Chk]
Hopper answer: [01] [00] [Dir] [00] [Chk]

Hopper default address is 3, example of message packet is:

Host sends: [03] [00] [01] [FE] [FE]
Hopper answer: [01] [00] [03] [00] [FC] ACK message

2.1.2 Command header 246 [hexF6], Request manufacturer ID

Hopper answer with ASCII string representing manufacturer name. In this case the hopper answer will be **'Alberici'**.

Message format is:

Host sends: [Dir] [00] [01] [F6] [Chk]
Hopper answer: [01] [Nr.b] [Dir] [00] [a1] [a2] ... [an] [Chk]

[Nr.b] is number of data bytes-characters sent by Hopper, and a1 to an are ASCII characters. The example of message packet is:

Host sends: [03] [00] [01] [F6] [06]
Hopper answer: [01] [0E] [03] [00] [41] [6C] [62] [65] [72] [69] [63] [69] [86]

2.1.3 Command header 245 [hexF5], Request equipment category ID

The answer to command header is standardized name for Hopper. Hopper will answer with ASCII string of characters representing standard name for that type of device **'Payout'**.

Message format is:

Host sends: [Dir] [00] [01] [F5] [Chk]
Hopper answer: [01] [06] [Dir] [00] [50] [61] [79] [6F] [75] [74] [Chk]

Number of data byte is always 6, hex [06].

Example of message packets for hopper (*address 3*) is:

Host sends: [03] [00] [01] [F5] [07]
Hopper answer: [01] [06] [03] [00] [50] [61] [79] [6F] [75] [74] [74]

2.1.4 Command header 244 [hexF4], Request product code

Hopper answer with ASCII string of character, representing its factory type.

For Alberici Hoppers it is **'AH DSC 1'**. Message format is:

Host sends: [Dir] [00] [01] [F4] [Chk]
Hopper answer: [01] [nr.byte] [Dir] [00] [a1] [a2] ... [an] [Chk]

Number of data bytes sent by Hopper is 8, hex [08].

Example of message packets for Hopper (*address 3*) is :

Host sends: [03] [00] [01] [F4] [08]
Hopper answer: [01] [08] [03] [00] [41] [48] [20] [44] [43] [69] [20] [01] [20]

2.1.5 Command header 242 [hexF2], Request serial number

Hopper answer with three byte serial number.

Message format is:

Host sends: [Dir] [00] [01] [F2] [Chk]

Hopper answer: [01] [03] [Dir] [00] [Ser.1-LSB] [Ser.2] [Ser.3-MSB] [Chk]

The first data byte sent is LSB of serial number.

Example of message packets for Hopper (*address 3*) and serial number **12345678**, hex [BC][61][4E] is:

Host sends: [03] [00] [01] [F2] [0A]

Hopper answer: [01] [03] [03] [00] [4E] [61] [BC] [8E]

2.1.6 Command header 241 [hexF1], Request software revision

Hopper return ASCII string of character representing software version and revision. Message format is:

Host sends: [Dir] [00] [01] [F1] [Chk]

Hopper answer: [01] [Nr.b] [Dir] [00] [a1] [a2] ... [an] [Chk]

Number of data bytes in ASCII string is not limited and each producer has it's own system of labelling. Example of message packets for Hopper(*address 3*) is:

Host sends: [03] [00] [01] [F1] [0B]

Hopper answer: [01] [0B] [03] [00] [75] [31] [2E] [30] [20] [70] [31] [2E] [30] [2E] [30] [70]

In this case the Hopper answer is **'u1.0 p1.0.0'**. New generation of Hopper controllers has main firmware(program)FLASH up-grade capability built in small monitor program.

Monitor program version is marked with ASCII letter **'u'** and two digit's for minor and major changes. Main program is marked with letter **'p'** and three digit's for changes.

First digit is major program changes, second digit is for minor program changes and third is for error or bug corrections.

2.1.7 Command 197 [hexC5], Calculate ROM checksum

Hopper respond with three bytes of micro controller internal memory checksum.

First byte is monitor program FLASH checksum, second is main program FLASH checksum

and third is data(in RAM) checksum. Any changes in program memory or data will change the respond of hopper. Message format is:

Host sends: [Dir] [00] [01] [C5] [Chk]

Hopper answer: [01] [3] [Dir] [00] [Checksum 1] [Checksum 2] [Checksum 3] [Chk]

Example of message string for Hopper(*address 3*) is:

Host sends: [03] [00] [01] [C5] [37]

Hopper answer: [01] [03] [03] [00] [53] [6E] [CC] [6C]

2.1.8 Command header 1 [hex01], Reset device

After acceptance of command Reset hopper execute software reset and clear all variables in RAM or set them at the default value, including different counters, and any buffers. After reset hopper replay with ACK message.

Host software must re enable hopper to perform a new payout. Message format is:

Host sends: [Dir] [00] [01] [01] [Chk]

Hopper answer: [01] [00] [Dir] [00] [Chk] ACK message

Example of message packets for hopper (*address 3*) is:

Host sends: [03] [00] [01] [01] [FB]

Hopper answer: [01] [00] [03] [00] [FC] ACK message

2.2 Hopper specific command headers

Hoppers are using some specific commands, for pay-out control, test of status and description. Some of commands are shared with other devices like banknote reader or hopper devices, but has different response or message format.

2.2.0 Command header 217 [hexD9],Request Payout Hi-Lo status

This command allow the reading of High/Low level sensor in payout systems. Hopper answer with one byte that describe the sensors status.

The meaning of bits in status byte is the following:

Bit 0 - Low level sensor status.

0 - Higher than or equal to low level trigger

1 - Lower than low level trigger

Bit 1 - High level sensor status

0 - Lower than high level trigger

1 - Higher than or equal to high level trigger

Bit 4 - Low level sensor support

0 - Features not supported or fitted

1 - Features supported and fitted

Bit 5 - High level sensor support

0 - Features not supported or fitted

1 - Features supported and fitted

Bit's 2,3,6,7 are reserved bits

Message format is:

Host sends: [Dir] [00] [01] [D9] [Chk]

Hopper answer: [01] [01] [Dir] [00] [d1] [Chk]

Example of message packets for Hopper (*address 3*) AH24 with no (*empty*) is:

Host sends: [03] [00] [01] [D9] [23]

Hopper answer: [01] [01] [03] [00] [11] [EA]

Only low sensor is supported, and hopper is empty.

2.2.1 Command header 164 [hexA4], Enable Hopper

This command enables hopper dispense. It must be sent once after power-on, Reset or Emergency stop command but before Dispense hopper coins command.

Message string format is:

Host sends: [Dir] [01] [01] [A4] [d1] [Chk]
Hopper answer: [01] [00] [Dir] [00] [Chk] ACK

Data [d1] must be **hex [A5]** in order to enable hopper. Any other code will disable it.

Example of message packets for Hopper(*address 3*) is:

Host sends: [03] [01] [01] [A4] [A5] [B2]
Hopper answer: [01] [00] [03] [00] [FC] ACK

2.2.2 Command header 163 [hexA3], Test Hopper

This command is used to test hopper hardware and report some problems in during dispense of coins. As response to that command hopper send to host a 2 bytes of data.

Each byte represent bit mask that show various hopper error. Bit meaning is shown below :

[Error mask 1]

- Bit 0 – Absolute maximum current exceeded
- Bit 1 – Payout time-out occurred
- Bit 2 – Motor reverse during last payout to clear a jam
- Bit 3 – Opto fraud attempt, path blocked during idle
- Bit 4 – Opto fraud attempt, short circuit during idle
- Bit 5 – Opto blocked permanently during payout
- Bit 6 – Power up detected
- Bit 7 – Payout disabled

[Error mask 2]

- Bit 0 – Opto shorted during payout
- Bit 1 – Flash data crc error
- Bit 2 – Use other hopper to pay
- Bit 3 – NU read 0
- Bit 4 – Motor reverse limit end
- Bit 5 – Unrecognized coin reverse limit
- Bit 6 – Sorter blocked
- Bit 7 – PIN mechanism active

Message string format is:

Host sends: [Dir] [00] [01] [A3] [Chk]
Hopper answer: [01] [02] [Dir] [00] [err 1] [err 2] [Chk]

Example of message packets for Hopper(*address 3*) is:

Host sends: [03] [00] [01] [A3] [59]
Hopper answer: [01] [02] [03] [00] [C0] [00] [BA]

Such response is example of hopper state after power-up.

2.2.3 Command header 134 [hex86], Dispense hopper value

This command is used to dispense coin value from a discriminator hopper. The coin value is based as the lowest unit of coin(1 cent, 1 pence etc.). Maximum possible value to pay with one instruction is 65535(ie. cents or 655 Eur).

Hopper must be enabled before use of this command.

Message format is:

Host sends: [Dir] [05] [01] [86] [sn1] [sn2] [sn3] [Val-lo] [Val-hi] [Chk]
Hopper answer: [01] [00] [Dir] [00] [Chk] ACK or NAK

Data string [sn1][sn2][sn3] is serial number, [Val-hi/lo] value to pay

First format message string example for hopper with ser. number (dec 1), to pay out 5 Euro is:

Host sends: [03] [05] [01] [86] [01] [00] [00] [F4] [01] [7B]
Hopper answer: [01] [01] [03] [00] [FC] ACK

2.2.4 Command header 133 [hex85], Request hopper polling value

This command will return the value of four counters that are representing the state of current payment or last payment. These four counters are:

[Event Counter]

Each time a valid Dispense hopper coins command is received, event counter is incremented till it reach the value of 255. After that next pay out command will set this value to 1. After power down or reset, value of event counter is 0.

[Payout value remaining]

This 2 byte counters will decrement for coin value after each coin is dispensed till it reach the value 0(both bytes) or stop of pay out. It shows us how much value is left to pay. Counter is set to new value after a valid dispense hopper value command. It is cleared after Reset, after Emergency stop or after automatic pay stop.

[Last Payout: value paid]

This 2 byte counters will increment during the pay out with each dispensed coin.

The value of counter is saved in non-volatile FLASH memory in case if power failure occur during the pay out cycle or after that. It is cleared at the beginning of nex pay out comand. It shows us how much value has been paid out since last dispence command was launched.

[Last Payout: value unpaid]

This 2 byte counters will also decrement during the pay out cycle in same way as counter

[Payout value remaining]. The difference is that this counter will be saved in non-volatile FLASH memory if power failure occur during or after(*value 0*) pay out. It show us how much value was unpaid during last payout.

Message format is:

Host sends: [Dir] [00] [01] [85] [Chk]
Hopper answer: [01] [07] [Dir] [00] [d1] [d2-1] [d2-h] [d3-1] [d3-h] [d4-1] [d4-h] [Chk]

Example of message packets for Hopper(*address 3*) is:

Host sends: [03] [00] [01] [85] [77]
Hopper answer: [01] [07] [03] [00] [01] [00] [00] [00] [00] [96] [00] [5E]

In this example hopper didn't not perform a complete payout. The last payout was 3 Euro and 50 censts of 5 Euro to be paid.

2.2.5 Command header 132 [hex84], Emergency stop value.

This command immediately halt the payout sequence (*break the motor*) and reports back the value of Euro (€) coins which it failed to paid out. Hopper answer has 100 ms delay for last cointo exit. After Emergency stop value command, the hopper will be disabled. To perform new payout sequence, hopper must be re-enabled.

Message format is:

```
Host sends: [Dir] [00] [01] [84] [Chk]
Hopper answer: [01] [02] [Dir] [00] [d1-l] [d1-h] [Chk]
```

Example of message packets for Hopper (*address 3*) is

```
Host sends: [03] [00] [01] [84] [78]
Hopper answer: [01] [02] [03] [00] [7E] [04] [78]
```

Data bytes hex[7E][04] represent hex 047E or dec 1150. That mean that there is 11 Euro and 50 cents left unpaid due to Emergency stop.

2.2.13 Command header 131 [hex83], Request hopper coin value.

This command return the "name" of specified coin as well as its value. Coin name is standardized 6 byte ASCII characters. It is possible to program different coin names that describe the one used in hopper. Unprogrammed coins has code: '-----'. This code is reserved for unknown(*any type*) of coin.

Message format is:

```
Host sends: [Dir] [01] [01] [83] [01] [Chk]
Hopper answer: [01] [08] [Dir] [00] [a1] [a2] [a3] [a4] [a5] [a6] [Val-lo]
[Val-hi] [Chk]
```

Data a1 to a6 represent the coin "name"(*description*). Data Val-lo and hi are coin value.

Example of message packets for Hopper(*address 3*) coin nr. 1(2 Euro) is:

```
Host sends: [03] [01] [01] [83] [77]
Hopper answer: [01] [08] [03] [00] [45] [55] [32] [30] [30] [41] [C8] [00] [BF]
```

Data bytes hex[45][55][32][30][30][41] are ASCII 'EU200A'.

Data bytes hex[C8][00] represent hex 00C8 or dec 200, the value of 2 Euro in cents.

2.2.14 Command header 130 [hex82], Request indexed hopper dispense count.

This command shows the total number of each type of Euro (€) coins dispensed by hopper. Each coin counter is non-volatile and has three bytes. LS byte is sent first.

Message format is:

```
Host sends: [Dir] [01] [01] [82] [coin nr.] [Chk]
Hopper answer: [01] [03] [Dir] [00] [d1] [d2] [d3] [Chk]
```

Example of message packets for Hopper(*address 3*) and second coin is:

```
Host sends: [03] [00] [01] [82] [02] [54]
Hopper answer: [01] [03] [03] [00] [54] [00] [00] [A5]
```

In this example hopper dispensed 84 coins (*hex 54*) programmed on second

channel. Maximum value of dispensed coins stored in hopper FLASH is **16 777 215**.

2.3 MDCES command headers

MDCES stands for **M**ulti-**D**rop **C**ommand **E**xtension **S**et, or so called Multi-drop bus commands.

2.3.1 Command header 253 [hexFD], Address poll

This command is usually sent as a broadcast message by the host to determinate all address of device attached on ccTalk network. Hopper will answer with only one byte (*non-standard message format*), after a delay that is proportional to address value multiplied with 4 milliseconds.

Message format is:

Host sends: [00] [00] [01] [FD] [Chk] Broadcast message
Hopper answer: Dly=4x[Address] -> [Address]

Example of message packets for Hopper (*address 3*) is:

Host sends: [00] [00] [01] [FD] [02]
Hopper answer: Dly=12 ms -> [03] Address is 3

Example of message packets for Hopper (*address 250*) is:

Host sends: [00] [00] [01] [FD] [02]
Hopper answer: Dly=1 s -> [FA] Address is 250

3.0 Setting Hopper Address via PCB DIP-sw

The default address of Alberici hoppers can be changed by setting the onboard switches. The following table shows the possible Switch combinations to set the Hopper address.

Sw 3	Sw 2	Sw 1	Address
Off	Off	Off	3
Off	Off	On	4
Off	On	Off	5
Off	On	On	6
On	Off	Off	7
On	Off	On	8
On	On	Off	9
On	On	On	10

Table 5 Address selection for hoppers AH03-CD.

The board reads the address dip-switches only after power-up or reset. Therefore anychange of address made by means of the switch-row during normal operation will have no effect.

¹For details see ccTalk44-2.pdf, Address poll

²252 bytes of data, source address, header and checksum (total of 255 bytes)

³See Error handling

⁴Refer to Appendix 3.1 of protocol document cctalk43-3.pdf

NOTA: La Alberici S.p.A. si riserva il diritto di apportare modifiche alle specifiche tecniche dell'apparecchiatura descritta in qualunque momento e senza preavviso, nell'ambito del perseguimento del miglioramento continuo del proprio prodotto.



Progettazione e produzione di sistemi di pagamento, accessori per videogames e macchine vending

Design and manufacture of payment systems, accessories for videogames and vending machines

Via Ca' Bianca 421
40024 Castel San Pietro Terme
ITALY

Tel. + 39 051 944 300
Fax. + 39 051 944 594

<http://www.alberici.net>

info@alberici.net